

I-View K1968

1U 19" Rack Mount 19" LCD, keyboard / Touchpad, PS/2 or USB channel 8 Ports KVM



Features

- Integrated KVM 8-port Console with 19" LCD monitor, keyboard and touchpad in a 1U height rack mountable drawer
- Provides 2-level password security (Administrator and User)
- Cascades 31 additional switches, allowing control of ≤256 computers from a single console
- Connect to a server or KVM switch via a standard VGA connector
- Quick release tabs to insert or remove the device with ease
- Supports both USB and PS/2 connections for the computers
- Extra HDB15 port allows one additional VGA monitor to be connected
- Integrated touchpad
- Convenient computer switching via keyboard hotkey and OSD (On-Screen-Display)
- Auto scan feature, broadcast mode, hot pluggable, quick select computer

Introduction

The I-View K1968 is an LCD KVM switch console that features an integrated 19" LCD screen, keyboard and touchpad in a single console that occupies only 1U of rack space. It allows access and control of up to 8 computers from a single console, and as many as 256 servers can be controlled by cascading another 31 switch consoles. An extra console port is provided (on rear panel) to manage the LCD KVM switch from an external console. I-View K1968 has a built-in LCD monitor that supports resolution up to 1280x1024@60Hz.

Specification		
Model		K1968
Connections	Direct	8 DB15 Female (blue)
	Max	256
Port Emulation		PS/2, USB
Compatibility	Multi-platform	Windows, Sun, Unix, Linux
LCD Monitor	LCD Mode	SXGA TFT
	View Area	19"
	Resolution	1280x1024@60Hz
	Display color	16.7 M
	Brightness	250cd/m ² (Typ)
	Contrast Ratio	1000: 1 (Typ)
	Pixel pitch (mm)	0.294(H) x 0.294(W)
	Input Power	
Optional Power Input		-36V – 72V DC
Power Consumption		21W
Emulation	Keyboard	99 keys (82 keys main keyboard + 17 keys independent small number pad) <i>Multi-language support</i> —English, Russian, German, French, Korean, Swedish and Italian, etc
	Mouse	X/Y resolution (>1000 points/inch) Supports trackball function
Environment Requirement	Operating Temp	0 - 50 °C
	Storage Temp	-20 – 60 °C
	Humidity	0-80% RH (non-condensing)
Mechanical	Material	SECC
Features	Weight	13.5
	Dimension	448mm x 605mm x 42.5mm

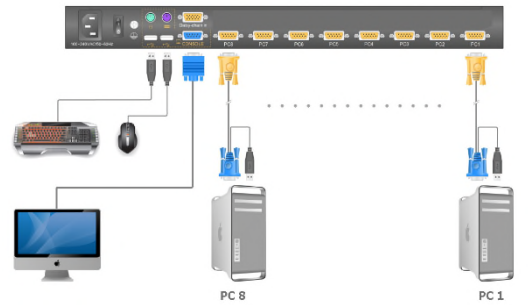
Packaging Content	
•	1x I-View K1968 LCD Console
•	1x Power Cord (Regional)
•	2x Mounting Rails
•	8x USB+VGA KVM Cable (1.8m/6ft)
•	1x Quick Start Guide

Ordering Information	
I-View K1968	1U 19" Rack Mount 19" LCD, keyboard /Touchpad, PS/2 or USB channel 8 Ports KVM
Packaging Dimension	765mm x 615mm x 185mm
Optional	
CBL-1801M	1.8 Meter KVM Cable Combo (PS/2 & USB) (Default)
CBL-1802U	1.8 Meter KVM Cable Combo (USB)
CBL-3001M	3 Meter KVM Cable Combo (PS/2 & USB)
CBL-3001U	3 Meter KVM Cable Combo (PS/2)
CBL-5000M	5 Meter KVM Cable Combo (PS/2 & USB)
CBL-5001U	5 Meter KVM Cable Combo (PS/2)

Rear View



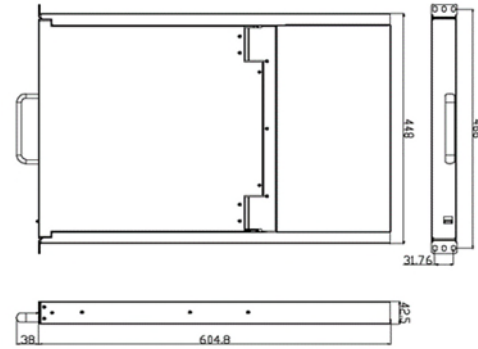
Connection Diagram



Cables



Dimension



SINETIC Technologies Inc. reserves the right to change or update without notice, any information contained herein; to change without notice, the design construction, materials, processing or specifications of any products and to discontinue or limit production or distribution of any products. © 2020 SINETIC Technologies Inc. All rights reserved. DMIVIEWK1968 Rev 1.0 Dated 202004.